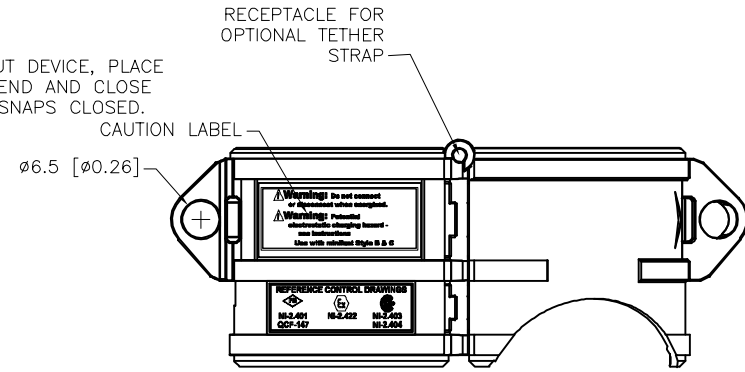
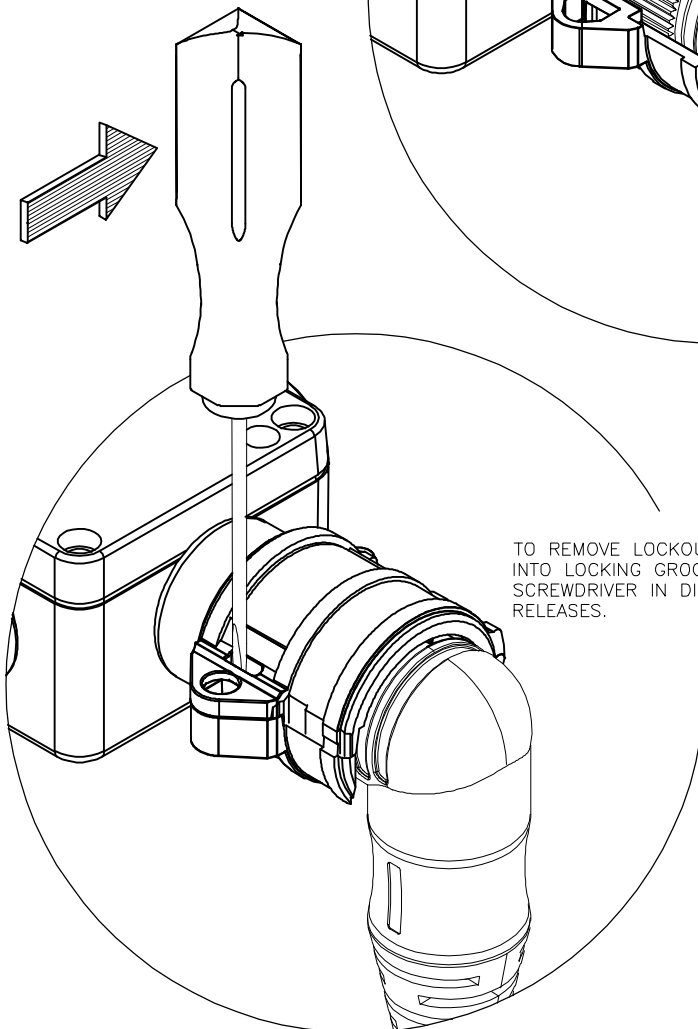
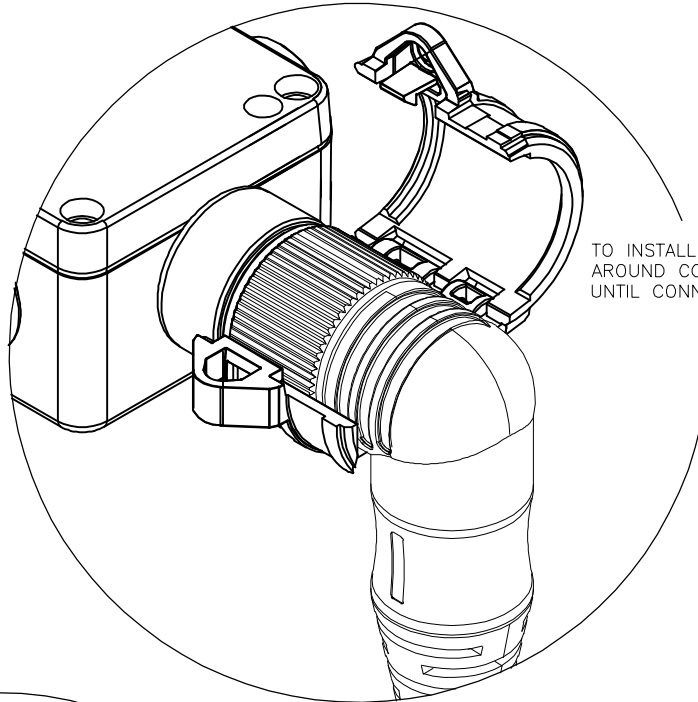


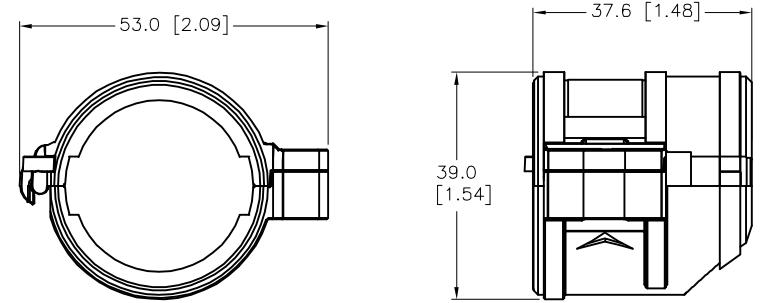
SPECIFICATIONS

HOUSING MATERIAL/COLOR

NYLON 66/BLACK



OPENED VIEW OF LOCKOUT DEVICE



LOCKOUT DEVICE FITS ALL RIGHT-ANGLE TURCK MOLDED B & C MINIFAST CORDSETS.

SOURCE DRAWING - FOR REFERENCE ONLY

RELATED DOCUMENTS 1. 2. 3. 4.	3RD ANGLE PROJECTION 	THIS DRAWING IS CONFIDENTIAL AND THE PROPERTY OF TURCK INC. USE OF THIS DOCUMENT WITHOUT WRITTEN PERMISSION IS PROHIBITED.		3000 CAMPUS DRIVE MINNEAPOLIS, MN 55441 1-800-544-7769 (763) 553-7300 (763) 553-0708 fax www.turck.us	
	MATERIAL	ALL DIMENSIONS DISPLAYED ON THIS DRAWING ARE FOR REFERENCE ONLY	DRFT RDS APVD	DATE 01/16/06 SCALE 1=1.3	DESCRIPTION LOCK-MINI-B&C-ANGLE (10/BAG)
FINISH	CONTACT TURCK FOR MORE INFORMATION	UNIT OF MEASUREMENT MILLIMETERS		IDENTIFICATION NO. A0942	REV B
B UPDATE LABEL NF 09/12/16 56413	REV DESCRIPTION BY DATE ECO NO.	DO NOT SCALE THIS DRAWING		FILE: A0942	SHEET 1 OF 1

TURCK